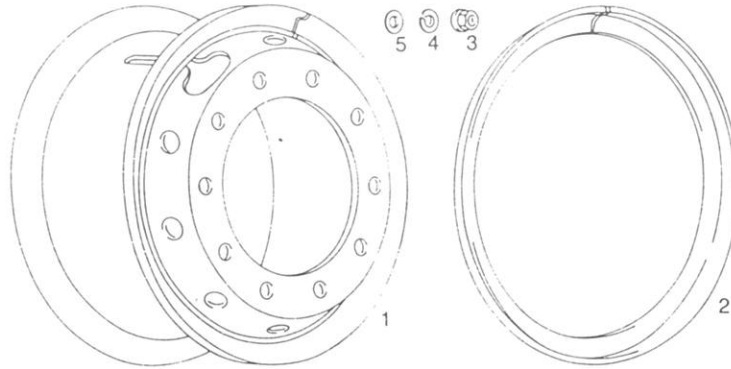


REF. NO.	PART NUMBER	DESCRIPTION	QTY.	L1013	L1113	L1116	L1117	L1316	L1317	L1418	LS1418
1	353 400 01 02	Wheel/Lemmerz Rim 8 Hole <i>Tubeless</i>	6	■							
1	358 400 02 02	Wheel/Lemmerz Rim 8 Hole	6		■	■					
1	360 400 10 02	Wheel/Lemmerz Rim 10 Hole	6					■		■	■
1	376 400 03 02	Wheel/Firestone Rim 10 Hole	6		■	■					
1	376 400 02 02	Wheel/Firestone Rim 10 Hole	6					■		■	■
1	376 400 04 02	Wheel/Firestone Rim 10 Hole (For Hub Centered Wheel)	6		■		■				
1	376 400 05 02	Wheel/Firestone Rim 10 Hole (For Hub Centered Wheel)	6						■		
2	385 400 01 24	Nut and Washer Kit	40	■	■	■	■	■	■		
3	376 401 01 13	Extension, Valve Stem, 7 inch with Bracket	2	■	■	■	■	■	■	■	■
3	376 401 04 13	Extension, Valve Stem, 9 inch with Bracket	2	■	■	■	■	■	■	■	■
4	376 401 00 13	Valve Stem, fits only Firestone Tubeless Wheels	6		■	■	■	■	■		
4	913 401 00 99	Valve Stem Kit, fits only Lemmerz Tubeless Rim	6	■	■	■		■		■	■



REF. NO.	PART NUMBER	DESCRIPTION	QTY.	L1013	L1113	L1116	L1117	L1316	L1317	L1418	LS1418
1	344 400 02 02 344 400 72 02	Wheels/Tube Type, 2-Piece	6	■	■	■					
1	345 400 71 02	Firestone Wheels/Tube Type, ^{3-piece} 3-Piece	6					■		■	
2	000 401 55 06	Side Ring/Fits: 344 400 02 02 Wheel	6	■	■	■					
2	345 401 70 06	Lock Ring/To: 345 400 73 02 Wheel	6					■		■	
2	345 401 01 06	Side Ring/To: 344 400 70 02 Wheel	6	■	■	■					
2	345 401 01 06	Side Ring/To: 345 400 73 02 Wheel	6					■		■	
2	345 401 00 07	Lock Ring/To: 344 400 70 02 Wheel	6	■	■	■					
3	074361 020205	Wheel Nut/20mm (Quantity 40 on Phase II L1113/1116)	32	■	■	■					
3	074361 022205	Wheel Nut/22mm	40					■		■	
4	074361 020352	Lockwasher/Wheel Nut 20mm (Quantity 40 for Phase II L1113 & L1116)	32	■	■	■					
4	376 990 72 47	Lockwasher/Wheel Nut 22mm	40					■		■	
5	066 402 00 75	Spherical Ring/20mm Inner Rear Wheel (Quantity 20 for Phase II L1113 and L1116)	16	■	■	■					
5	317 402 01 75	Spherical Ring/22mm Inner Rear Wheel	20					■		■	

Genuine Mercedes-Benz quality components assure your truck the best possible performance and retention of value.