

Chassis

Rear Spring Suspension/Group 32

REF. NO.	PART NUMBER	DESCRIPTION	QTY.										
				L1013	L1113	L1116	L1117	L1316	L1317	L1418	LS1418		
1	345 320 73 08	Rear Spring/7-Leaf helper spring, 7-Leaf main	2					■	■				
1	345 320 00 08	Rear Spring/8-Leaf helper spring, 11-Leaf main	2									■	
2	344 320 71 94	Main Leaf, Rear (Fits 344 320 72 08) (Except 5900mm Wheelbase Model L1117)	2		■	■	■						
2	345 320 71 93	Main Leaf, Rear (Fits 345 320 73 08 Spring)	2					■	■				
3	344 324 70 12	Leaf No. 2, Rear (Fits 344 320 72 08 Spring) (Except 5900mm Wheelbase Model L1117)	2		■	■	■						
3	345 324 71 12	Leaf No. 2, Rear (Fits 345 320 73 08 Spring)	2					■	■				
4	004626 012125	Spring Center Bolt (Except 5900mm Wheelbase Models L1116 and L1117)	2		■	■	■						
4	004626 012114	Spring Center Bolt	2	■									■
4	004626 012115	Spring Center Bolt	2					■	■				
4	000 322 02 71	Spring Center Bolt	2									■	
4	004626 012227	Spring Center Bolt (For 5900mm Wheelbase)	2			■	■						
4	004626 012125	Spring Center Bolt (Except 5900mm Wheelbase Models L1116 and L1117)	2		■	■							
5	000934 012010	Nut, Center Spring Bolt (Except 5900mm Wheelbase Model L1117)	2		■	■	■	■	■	■	■	■	■
5	913004 012007	Nut, Center Spring Bolt (For 5900mm Wheelbase Models L1116 and L1117)	2	■		■	■						
6	352 351 03 25	U-Bolt/Rear Spring	4		■	■							■
6	321 351 07 25	U-Bolt/Rear Spring	4	■									
6	358 351 01 25	U-Bolt/Rear Spring (376.041-044 on L1418) (Fits L1117 with 5900mm Wheelbase)	4					■				■	
6	340 351 00 25	U-Bolt/Rear Spring (Fits 345 Chassis)	4									■	
6	327 351 54 25	U-Bolt/Rear Spring (376.132-135) (Except L1117 with 5900mm Wheelbase)	4						■	■			
6	321 351 07 25	U-Bolt/Rear Spring	4	■									
6	358 351 00 25	U-Bolt/Rear Spring (Fits L1316 376.031-034, 345.001-300)	4		■		■	■					
7	327 997 00 26	Washer	8		■	■	■	■	■	■	■	■	■
8	000934 018002	Nut	16		■	■	■	■	■	■	■	■	■
9	352 320 01 63	Shackle/Rear Spring	2	■	■	■	■	■	■	■	■	■	■
10	345 325 70 30	Pin/Shackle and Spring	6	■	■	■	■	■	■	■	■	■	■
11	352 990 03 37	Bolt, Lock	6	■	■	■	■	■	■	■	■	■	■

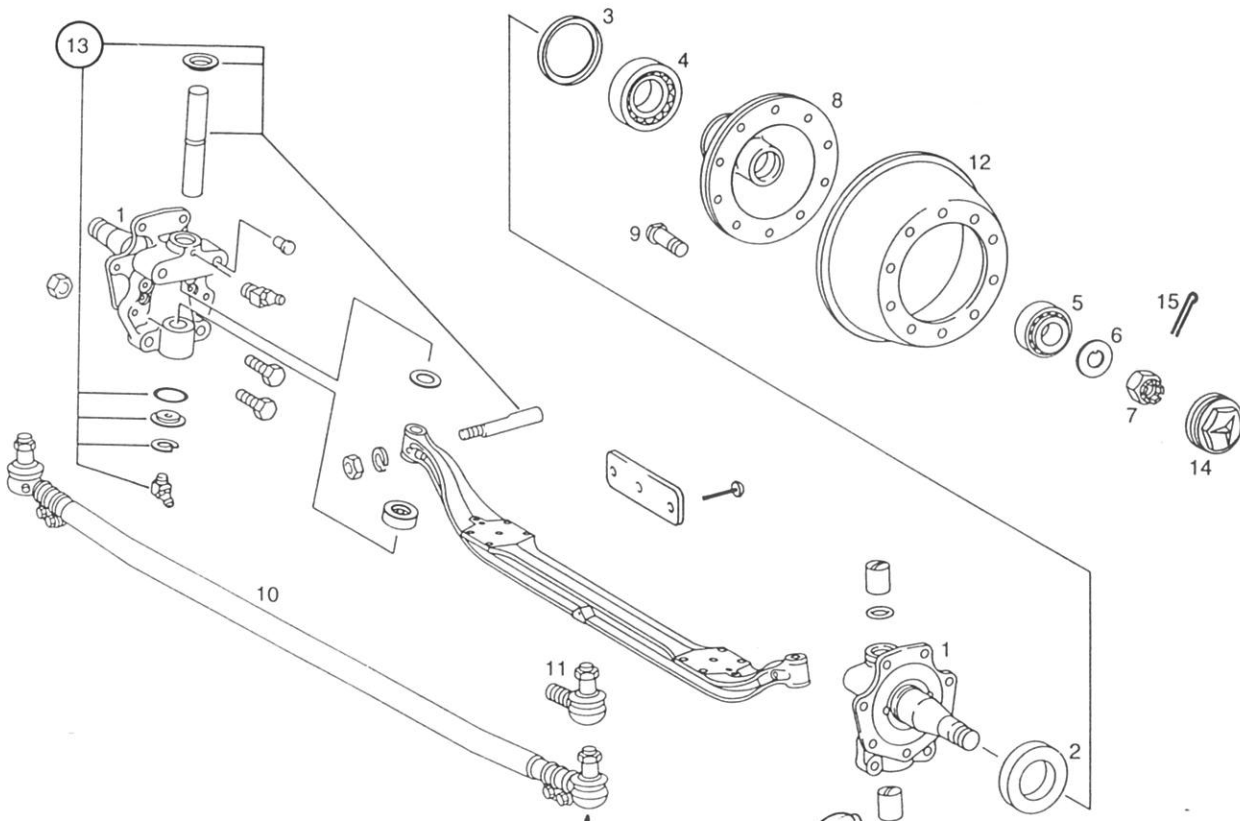
Chassis

Rear Spring Suspension/Group 32

REF. NO.	PART NUMBER	DESCRIPTION	QTY.								
				L1013	L1113	L1116	L1117	L1316	L1317	L1418	LS1418
12	000125 010517	Washer	6	■	■	■	■	■	■	■	■
13	913004 010001	Nut	6	■	■	■	■	■	■	■	■
14	071412 010100	Grease Nipple	6	■	■	■	■	■	■	■	■
15	352 323 09 76	Washer 4.0mm	AR	■	■	■	■	■	■	■	■
15	352 323 10 76	Washer 4.2mm	AR	■	■	■	■	■	■	■	■
16	002 997 30 40	Seal Ring, Shackle and Spring Pin	12	■	■	■	■	■	■	■	■
17	352 325 01 50	Bushing, Shackle and Spring	6	■	■	■	■	■	■	■	■
18	385 320 00 65	Kit, Rear Spring and Shackle <i>(qual / Rin)</i>	1	■	■	■	■	■	■	■	■

Note: Right Tie Rod End is part of assembly

Front Axle/Group 33



Stamped on Under side

*NAKATA (N)
Germann TRW*