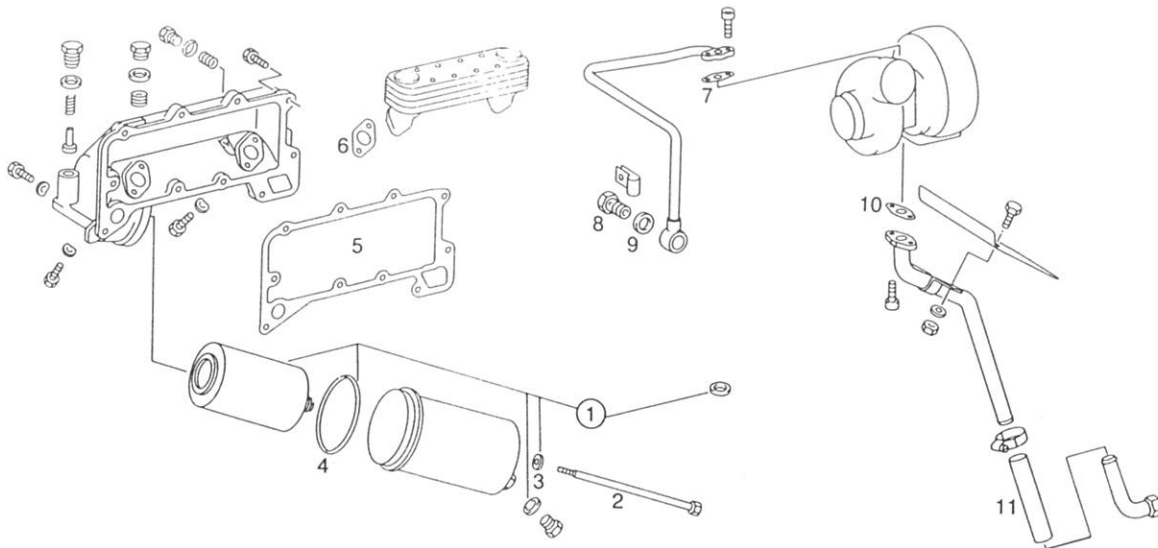


REF. NO.	PART NUMBER	DESCRIPTION	QTY.	OM429LA										
				953										
8	000 151 41 50	Bushing, Commentator Bearing	1	■										
9	000 152 42 10	Solenoid Switch, Engagement Relay	1	■										
10	000 152 40 10	Solenoid Switch, Control Relay	1	■										

Oil Cooler and Filter/Group 18



REF. NO.	PART NUMBER	DESCRIPTION	QTY.	OM429LA										
				953										
1	402 180 00 09	Filter Kit	1	■										
2	403 990 09 01	Bolt	1	■										
3	007603 014102	Seal	1	■										
4	008 997 70 45	Seal	1	■										
5	403 184 02 80	Gasket for Oil Cooler Cover	1	■										
6	917003 026000	Gasket	2	■										
7	407 187 01 80	Gasket	1	■										
8	915036 012200	Hollow Screw	1	■										
9	007603 016103	Seal Ring	2	■										