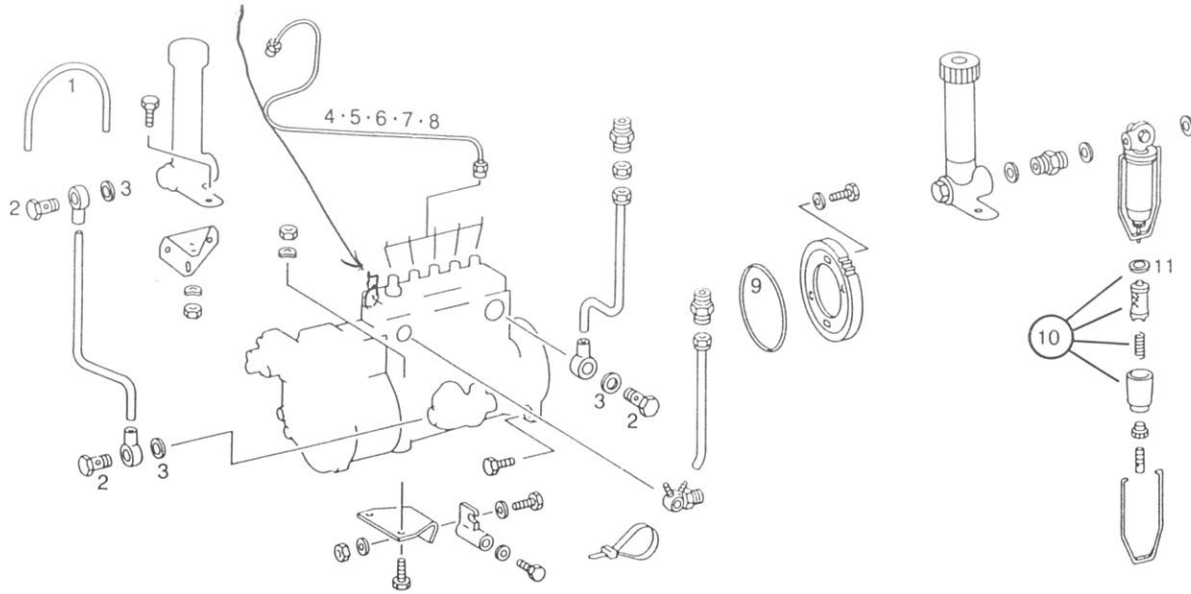


*1/27/89 NO MB# yet
 BSH 2-418-054-019 Cap for 6th Stand on 429LA*



REF. NO.	PART NUMBER	DESCRIPTION	QTY.	OM429LA
			953	
1	407 997 64 82	Hose, Return for Nozzle Holder	4	■
2	915036 010200	Hollow Screw	3	■
3	007603 014104	Seal Ring	4	■
4	427 070 02 33	Fuel Injection Line One	1	■
5	427 070 03 33	Fuel Injection Line Two	1	■
6	427 070 04 33	Fuel Injection Line Three	1	■
7	427 070 05 33	Fuel Injection Line Four	1	■
8	427 070 06 33	Fuel Injection Line Five	1	■
9	009 997 86 45	Seal Ring	1	■
10	000 090 01 51	Filter Element Strainer Parts Kit	1	■
11	000 997 00 40	Seal Ring	1	■