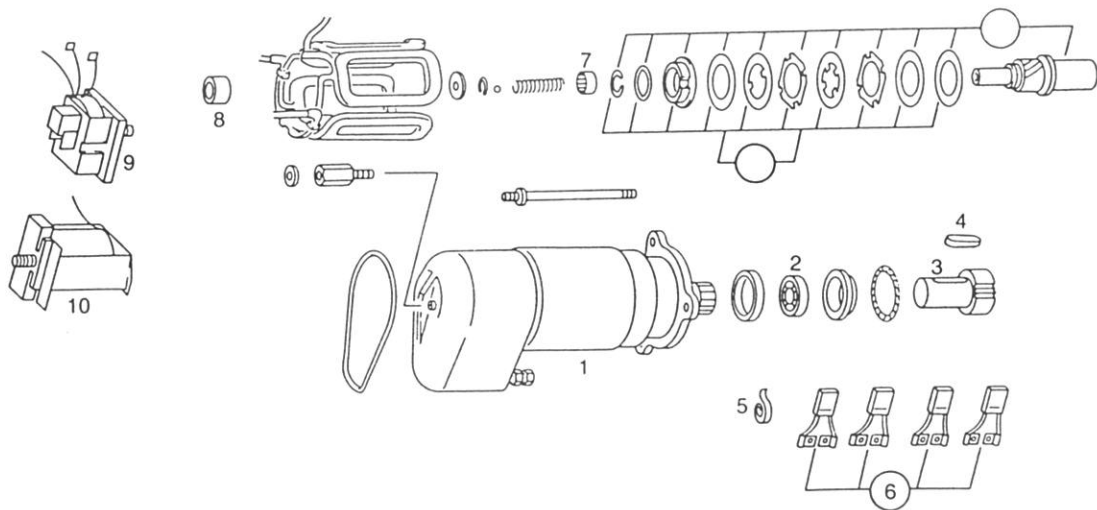


REF. NO.	PART NUMBER	DESCRIPTION	QTY.	OM429LA														
				953														
1	006 154 24 02	Alternator	1	■														
2	005 997 27 92	V-Belt	1	■														
3	002 154 40 06	Regulator and Cut Out	1	■														
4	000 154 71 14	Carbon Brush Set	1	■														
5	002 981 90 25	Ball Bearing, Rear	1	■														
6	004 981 04 25	Ball Bearing, Front	1	■														
7	429 150 02 72	Bolt, Adjusting	1	■														
8	352 155 02 72	Nut	1	■														
9	314 155 02 28	Clamping Piece	1	■														
10	403 155 02 50	Bushing	1	■														
11	000960 012069	Bolt	1	■														
12	000931 010306	Bolt	1	■														

REF. NO.	PART NUMBER	DESCRIPTION	QTY.	OM429LA
				953
13	900055 010000	Spring Washer	1	■
14	000934 010014	Nut	1	■
15	000931 010171	Bolt	1	■
16	352 155 06 50	Bushing	2	■
17	352 990 06 40	Washer	1	■
18	913002 010001	Nut	1	■
19	000 586 47 15	Repair Kit	1	■

Starter Motor/Group 15



REF. NO.	PART NUMBER	DESCRIPTION	QTY.	OM429LA
				953
1	003 151 45 01	Starter Motor	1	■
2	006 981 89 10	Needle Bearing	1	■
3	000 151 60 13	Drive Pinion	1	■
4	006885 006009	Key	1	■
5	000 151 37 93	Spring, Carbon Brush	4	■
6	000 151 89 14	Carbon Brush Set	1	■
7	006 981 90 10	Needle Bearing, Multi-Disc Coupling	1	■

Every Mercedes-Benz truck part complies one hundred percent with Mercedes-Benz engineering standards, and passes some of the strictest quality-control tests in the world.