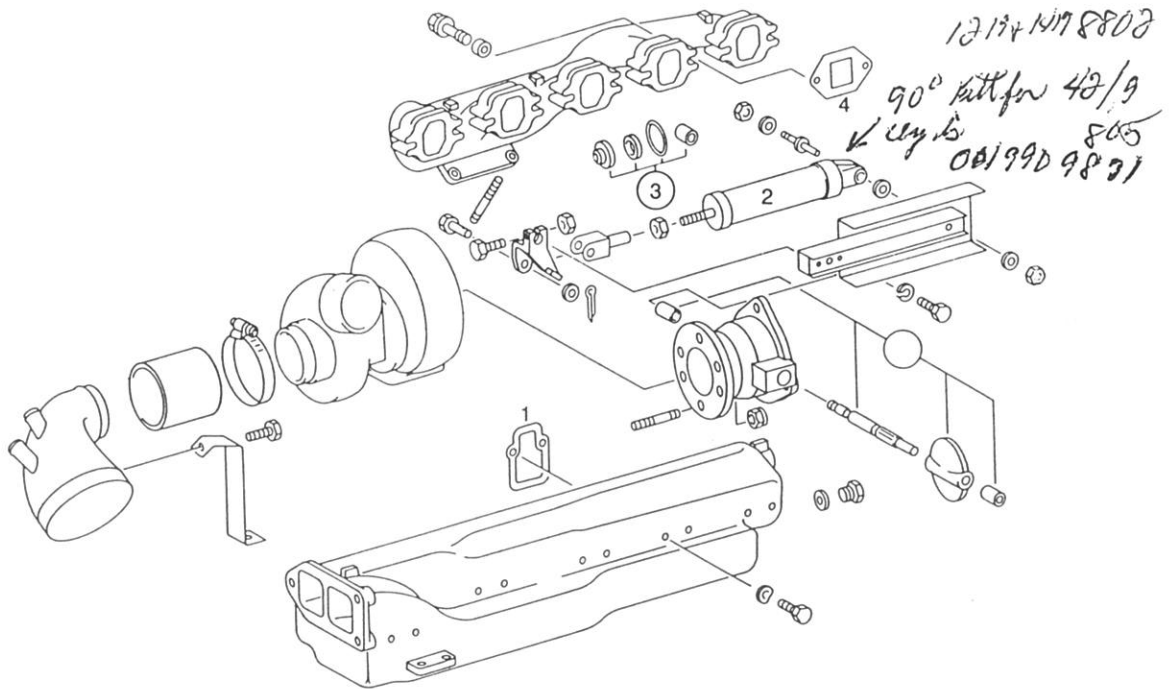


REF. NO.	PART NUMBER	DESCRIPTION	QTY.	OM429LA
			953	
1	402 130 00 20	Disc Valve Repair Kit	1	■
2	000 131 76 80	Gasket	1	■
3	000 131 75 80	Gasket	1	■
4	402 130 01 20	Repair Kit, Cylinder Head	1	■
5	403 131 03 80	Gasket, Cylinder Liner to Housing	1	■
6	403 131 07 80	Gasket, Cover to Housing	1	■
7	407 131 05 80	Gasket	1	■
8	010 997 19 45	Seal Ring	1	■
9	001 997 26 45	Seal Ring	1	■
10	407 131 09 80	Gasket and Seal Kit	1	■

REF. NO.	PART NUMBER	DESCRIPTION	QTY.	OM429LA
			953	
11	402 130 03 08	Cylinder Liner with Piston Kit	1	■
12	000 131 64 11	Piston Ring, Groove 1	1	■
13	000 131 65 80	Piston Ring, Groove 2 & 3	2	■
14	000 131 66 11	Piston Ring, Groove 4	1	■
15	407 131 00 33	Repair Kit, Crankshaft	1	■
16	403 131 02 33	Bearing Shell, Upper and Lower	2	■
17	002 981 93 01	Roller Bearing to Crankshaft	1	■

Intake and Exhaust Manifold/Group 14



REF. NO.	PART NUMBER	DESCRIPTION	QTY.	OM429LA
			953	
1	403 141 11 80	Gasket, Intake Manifold to Cylinder Head	5	■
2	000 430 30 26	Cylinder, Exhaust Brake	1	■
3	001 586 72 43	Repair Kit for Exhaust Brake Cylinder	1	■
4	403 142 03 80	Gasket, Exhaust Manifold to Head	5	■