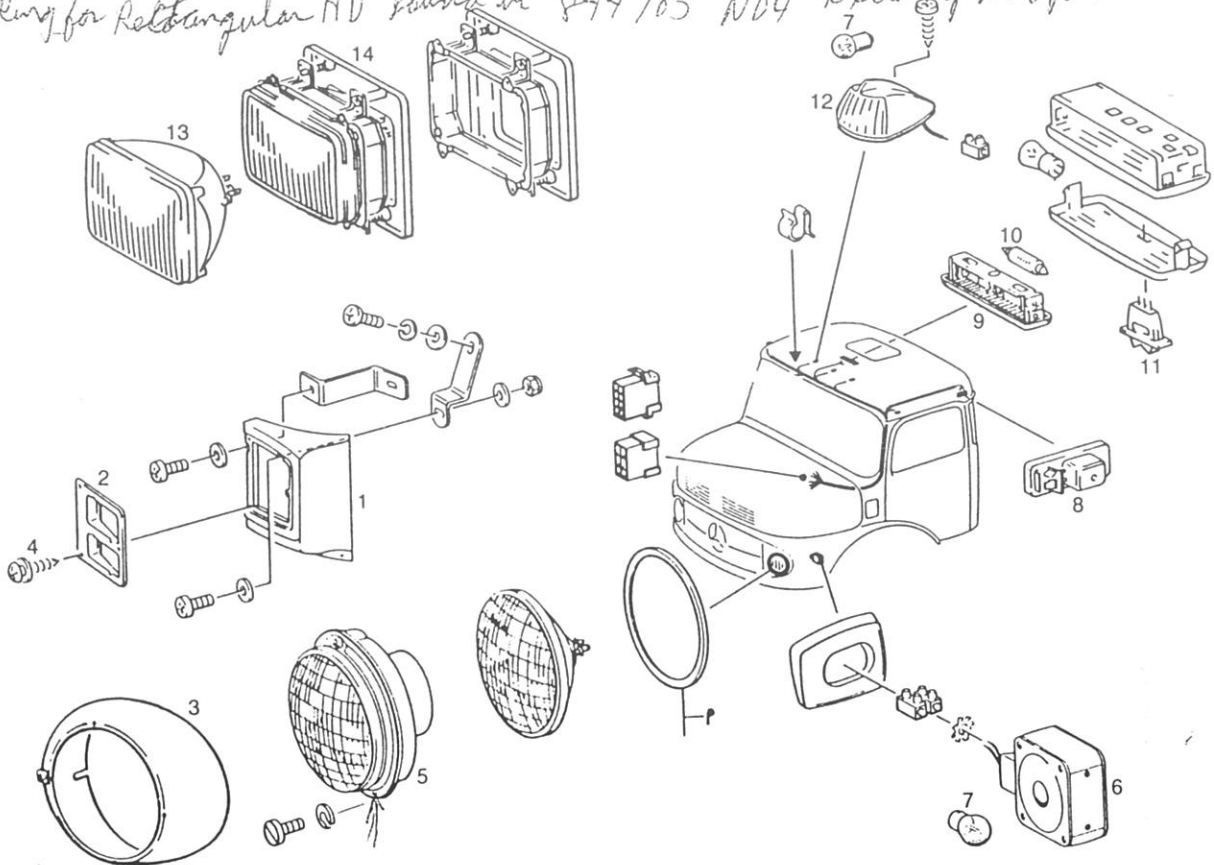


Cab

Headlights/Group 69

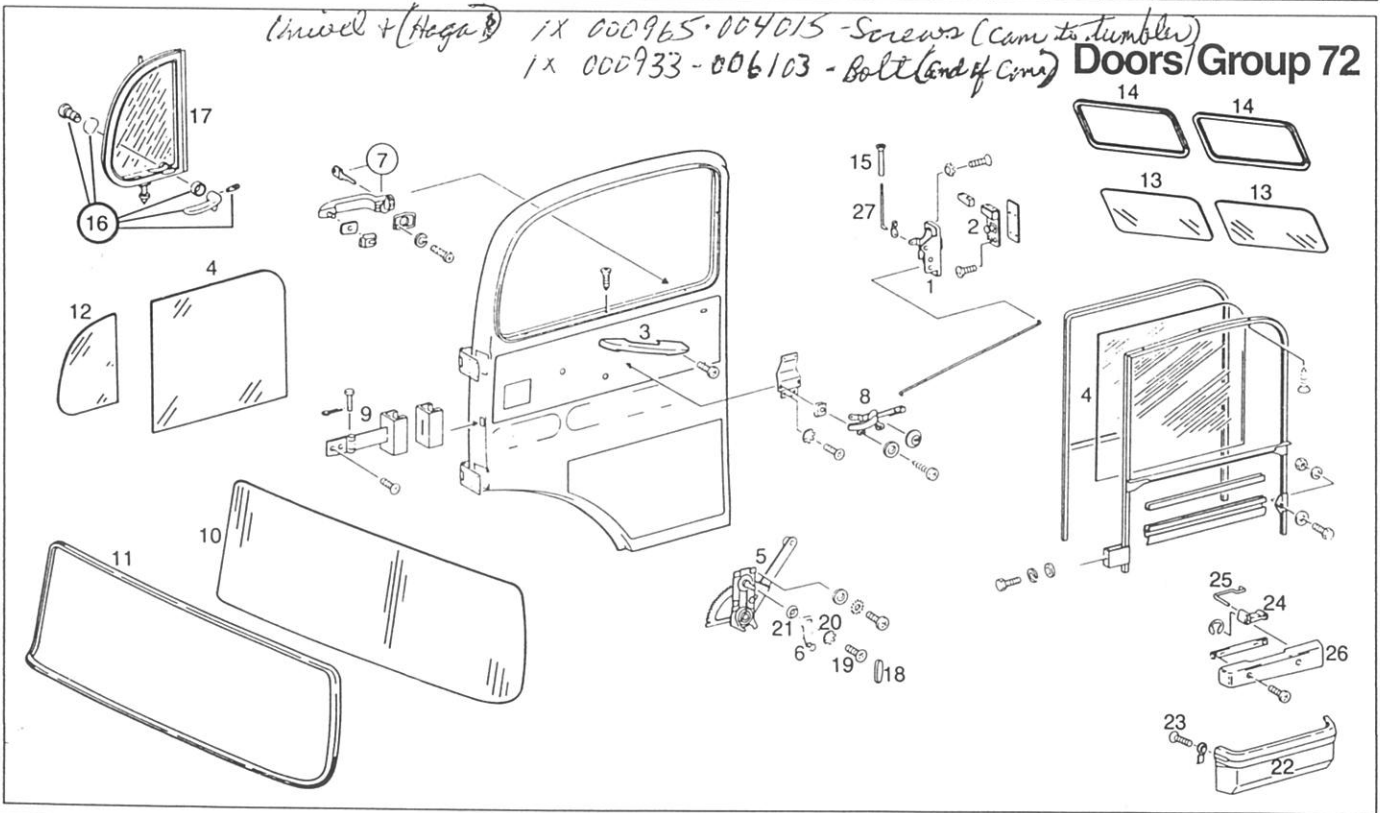
Ret Ring for Rectangular HD found in 844/05 N04 Left only not fill.



** Ret Ring GUT 5952000 3 tab. for 344820 76 61 HD asm.*

REF. NO.	PART NUMBER	DESCRIPTION	QTY.									
				L1013	L1113	L1116	L1117	L1316	L1317	L1418	LS1418	
1	331 698 00 79	Left Headlight Cover (Phase II)	1		■	■	■	■	■	■	■	■
1	331 698 01 79	Right Headlight Cover (Phase II)	1		■	■	■	■	■	■	■	■
2	331 698 00 30	Left Headlight Door (Phase II)	1		■	■	■	■	■	■	■	■
2	331 698 01 30	Right Headlight Door (Phase II)	1		■	■	■	■	■	■	■	■
3	344 826 75 89	Left and Right Headlight Rim (Chrome and Plastic)	2	■	■	■		■		■	■	■
4	914032 004211	Screw	6		■	■	■	■	■	■	■	■
5	344 820 76 61	Headlight Assembly (From Chassis 266733)	2	■	■	■		■		■	■	■
6	376 822 70 20	Blinker Lamp, Front (Phase II)	2		■	■	■	■	■	■	■	■
6	344 822 70 20	Blinker Lamp, Front (Pre Phase II)	2	■	■	■		■		■	■	■
7	072601 012701	Bulb	5	■	■	■	■	■	■	■	■	■
8	345 542 70 23	Temperature Buzzer	1	■	■	■	■	■	■	■	■	■

REF. NO.	PART NUMBER	DESCRIPTION	QTY.								
				L1013	L1113	L1116	L1117	L1316	L1317	L1418	LS1418
9	331 825 72 01	Dome Light (Pre Phase II)	1	■	■	■		■		■	■
10	072601 012130	Bulb	2	■	■	■		■		■	■
11	331 825 70 06	Switch, Dome Light	1		■	■	■	■	■	■	■
12	344 826 75 47	Marker Lamp (From Chassis 309074)	5	■	■	■	■	■	■	■	■
12	000 826 17 47	Marker Lamp (Up to Chassis 309073)	5	■	■	■		■		■	■
13	000 826 62 99	Sealed Beam, High Beam (Phase II)	2		■	■	■	■	■	■	■
13	000 826 63 99	Sealed Beam, Low Beam (Phase II)	2		■	■	■	■	■	■	■
14	331 820 74 61	Headlamp High Beam, Left and Right (Phase II)	2		■	■	■	■	■	■	■
14	331 820 75 61	Headlamp Low Beam, Left and Right (Phase II)	2		■	■					



REF. NO.	PART NUMBER	DESCRIPTION	QTY.								
				L1013	L1113	L1116	L1117	L1316	L1317	L1418	LS1418
1	322 720 02 35	Door Lock/Left (Up to Chassis 640358)	1	■	■	■		■		■	■
1	309 720 07 35	Door Lock/Left (From Chassis 640359)	1				■		■		