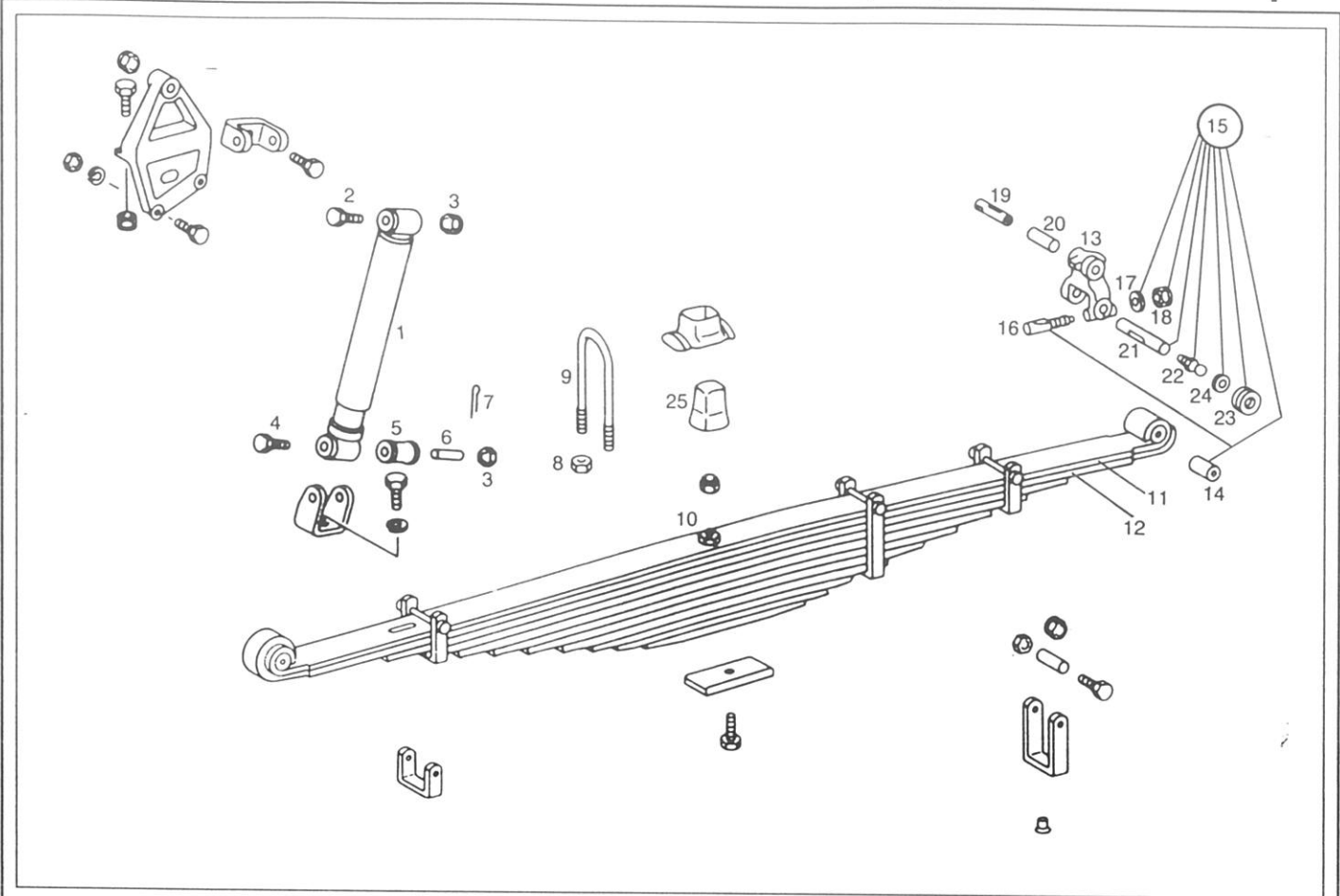


# Chassis

# Front Spring Suspension/Group 32



REF. NO.	PART NUMBER	DESCRIPTION	QTY.									
				L1013	L1113	L1116	L1117	L1316	L1317	L1418	LS1418	
1	344 323 75 00	Shock Absorber/Front (Fits L1116, L1117 Except 5900mm Wheelbase)	2	■	■	■	■					
1	345 323 70 00	Shock Absorber/Front (Fits L1116, L1117 With 5900mm Wheelbase)	2			■	■	■	■	■	■	■
1	345 326 72 00	Shock Absorber/Rear	2					■	■	■		
1	376 326 70 00	Shock Absorber/Rear	2									■
2	340 990 00 02	Bolt (Up To Chassis 488607)	2		■	■		■				
2	000960 016059	Bolt (From Chassis 488608)	2	■	■	■	■	■	■	■	■	■
3	913004 016004	Nut	4	■	■	■	■	■	■	■	■	■
4	344 990 99 01	Bolt	2	■	■	■	■	■	■	■	■	■
5	000 323 05 85	Rubber Mounting Sleeve	4	■	■	■	■	■	■	■	■	■
6	000 323 31 50	Spacer Tube Bushing	4	■	■	■	■	■	■	■	■	■
7	000094 004055	Cotter Pin	2	■	■	■	■	■	■	■	■	■

# Chassis

# Front Spring Suspension/Group 32

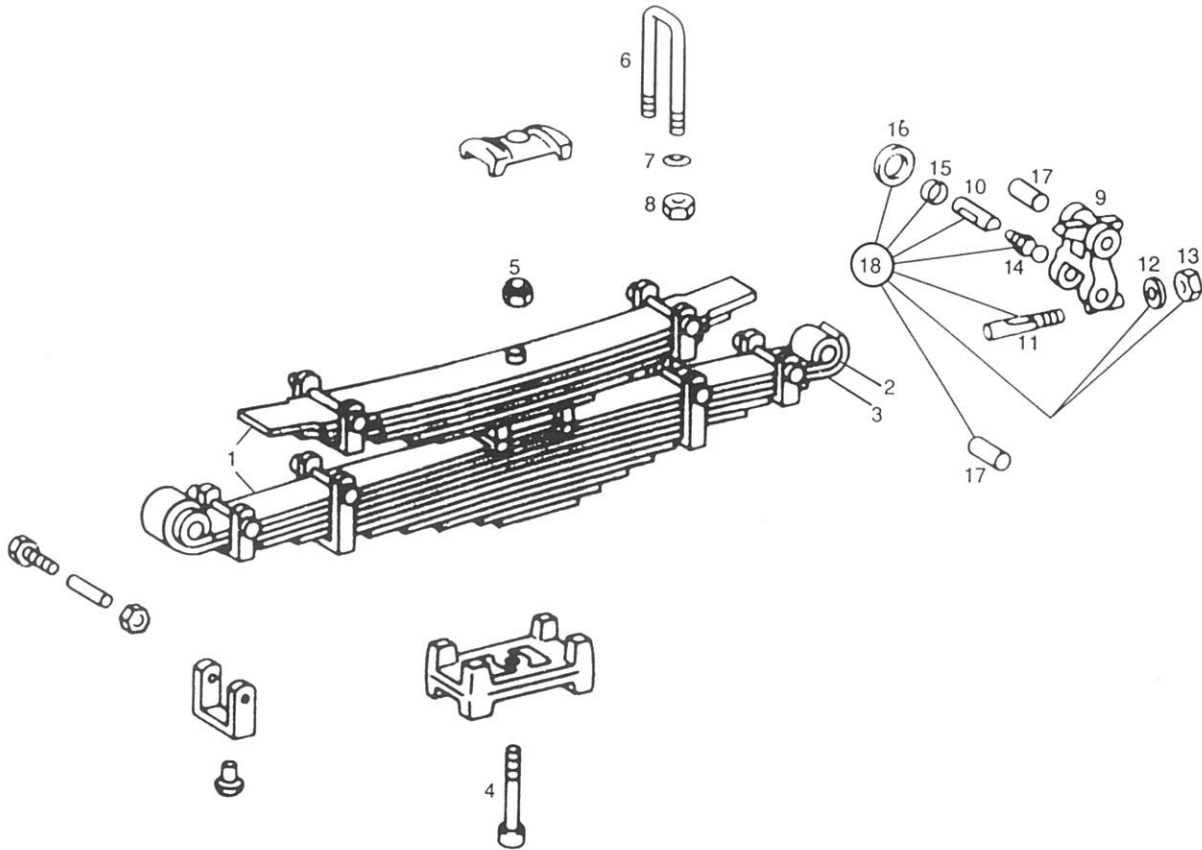
REF. NO.	PART NUMBER	DESCRIPTION	QTY.									
				L1013	L1113	L1116	L1117	L1316	L1317	L1418	LS1418	
8	000934 018002	Nut, U-Bolt	4	■	■	■	■	■	■	■	■	■
9	360 331 01 25	U-Bolt/Front Spring	4		■	■	■					
9	340 351 03 25	Rear U-Bolt/Front Spring to Front Axle	2					■	■	■	■	
9	352 351 00 25	Front U-Bolt/Front Spring to Front Axle	2					■	■	■	■	
9	352 351 01 25	U-Bolt/Front Spring	4	■								
10	344 320 73 02	Front Spring 11-Leaf (Except 5900mm Wheelbase on L1117)	2		■	■	■					
10	376 320 70 02	Front Spring 9-Leaf	2	■								
10	360 320 01 02	Front Spring 9-Leaf	2					■	■	■	■	
10	376 320 03 02	Front Spring 9-Leaf (For 5900mm Wheelbase on L1117)	2				■					
11	376 320 00 94	Main Leaf, Front (Fits 98 344 320 01 02 and 376 320 70 02 Springs)	2	■	■	■						
11	344 320 05 94	Main Leaf, Front (Fits 344 320 73 02 Spring)	2		■	■	■					
11	376 320 03 94	Main Leaf, Front (Fits 376 320 03 02 Spring) For 5900mm Wheelbase on L1117	2				■					
11	360 320 03 94	Main Leaf, Front (Fits 360 320 01 02 Spring)	2					■	■	■	■	
12	341 321 02 12	Leaf No. Two, Front (Fits 98 344 320 01 02 and 376 320 70 02 Springs)	2	■	■	■						
12	344 321 06 12	Leaf No. 2, Front (Fits 344 320 73 02 Spring)	2		■	■	■					
12	360 321 01 12	Leaf No. 2, Front (Fits 360 320 01 02 Spring)	2					■	■	■	■	
13	617 320 01 63	Shackle, Front Spring	2	■	■	■	■	■	■	■	■	■
14	385 322 00 50	Bushing, Front Spring	4	■	■	■	■	■	■	■	■	■
15	385 320 01 65	Kit, Front Spring and Shackle <i>(incl 1 Pin)</i>	1	■	■	■	■	■	■	■	■	■
16	352 990 03 37	Bolt, Shackle	6		■	■	■	■	■	■	■	■
17	000125 010517	Washer	6		■	■	■	■	■	■	■	■
18	913004 010001	Nut	6		■	■	■	■	■	■	■	■
19	344 322 72 30	Shackle Pin, Upper (344 Chassis)	2		■	■						
20	385 322 00 50	Bushing, Shackle Upper	2	■	■	■	■	■	■	■	■	■
21	345 322 70 30	Pin Shackle, Upper and Lower (376 Chassis)	6	■	■	■	■	■	■	■	■	■
22	071412 010100	Grease Nipple, Lower Shackle Pin	4	■	■	■	■	■	■	■	■	■

# Chassis

## Front Spring Suspension/Group 32

REF. NO.	PART NUMBER	DESCRIPTION	QTY.								
				L1013	L1113	L1116	L1117	L1316	L1317	L1418	LS1418
22	071412 010300	Grease Nipple, Upper Shackle Pin	2		■	■		■	■	■	■
23	002 997 31 40	Seal Ring, Shackle and Spring Pin	12	■	■	■	■	■	■	■	■
24	352 323 03 76	Washer, 4.0mm	AR	■	■	■	■	■	■	■	■
24	352 323 04 76	Washer, 4.2mm	AR	■	■	■	■	■	■	■	■
25	341 331 00 44	Rubber Buffer	2	■	■	■	■				
25	352 331 00 44	Rubber Buffer	2					■	■	■	■

## Rear Spring Suspension/Group 32



REF. NO.	PART NUMBER	DESCRIPTION	QTY.								
				L1013	L1113	L1116	L1117	L1316	L1317	L1418	LS1418
1	344 320 72 08	Rear Spring/9-Leaf helper spring, 11-Leaf main (Except 5900mm Wheelbase)	2		■	■	■				
1	376 320 70 08	Rear Spring/6-Leaf helper spring, 8-Leaf main	2	■							