

Chassis

Front Axle/Group 33

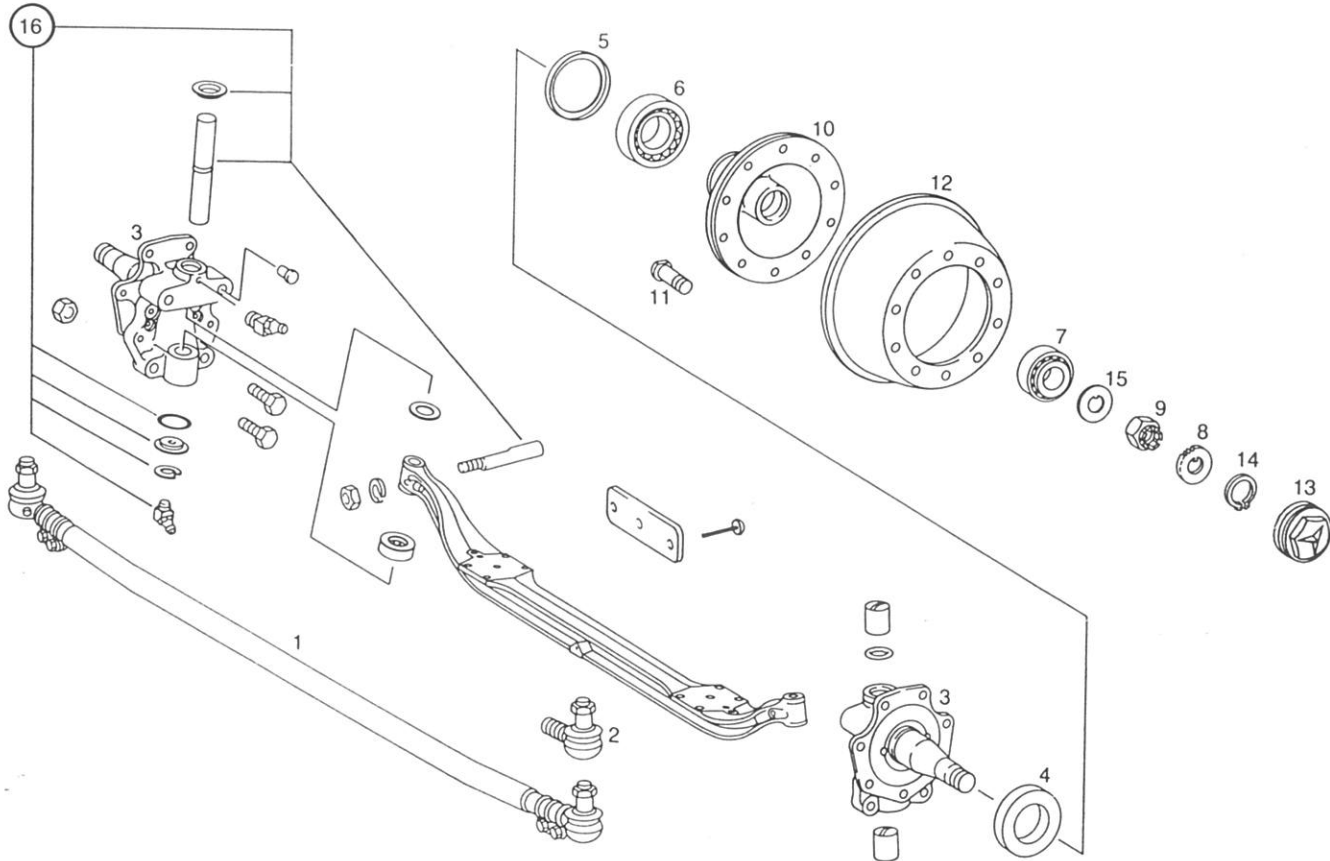
REF. NO.	PART NUMBER	DESCRIPTION	QTY.								
				L1013	L1113	L1116	L1117	L1316	L1317	L1418	LS1418
1	344 330 00 20	Steering Knuckle, Left and Right	2					■		■	■
1	327 332 04 01	Steering Knuckle, Left and Right	2	■	■	■					
2	345 334 00 15	Right or Left Wear Ring/Steering Knuckle	2					■		■	■
2	321 334 02 15	Right Wear Ring/Steering Knuckle	1	■	■	■					
2	321 334 01 15	Left Wear Ring/Steering Knuckle	1	■	■	■					
3	006 997 98 46	Seal/Front Wheel	2					■		■	■
3	000 997 34 46	Seal/Front Wheel	2	■	■	■					
	352 334 00 51	Spacer Ring/Front Wheel	2					■		■	■
	321 334 00 51	Spacer Ring/Front Wheel	2	■	■	■					
4	344 981 70 05	Wheel Bearing/Inner	2					■		■	■
4	002 981 02 05	Wheel Bearing/Inner	2	■	■	■					
5	001 981 56 05	Wheel Bearing/Outer	2	■	■	■		■		■	■
6	327 332 16 62	Thrust Washer/Wheel Bearing	2	■	■	■		■		■	■
7	000937 032000	Nut/Wheel Bearing	2	■	■	■		■		■	■
8	345 334 00 01	Hub /Front Wheel	2					■		■	■
8	344 334 70 01	Hub/ Front Wheel	2	■	■	■					
9	317 401 04 71	Wheel Bolt/Front Hub	20					■		■	■
9	352 402 01 71	Wheel Bolt/Front Hub	16	■	■	■					
10	344 330 70 03	Tie Rod Assembly	1	■	■	■					
10	345 330 70 03	Tie Rod Assembly	1					■		■	■
11	344 330 72 35	Tie Rod End/Left (Fits: 344 330 70 03 Tie Rod)	1	■	■	■					
11	344 330 71 35	Tie Rod End/Right (Fits: 344 330 70 03 Tie Rod)	1	■	■	■					
11	000 330 14 35	Tie Rod End/Left (Right End Furnished W/Assy. Above)	1					■		■	■
12	344 421 70 01	Brake Drum/Front, Standard Size	2	■	■	■					
12	354 421 03 01	Brake Drum/Front, Standard Size	2					■		■	■
13	345 586 70 33	Repair Kit/Left and Right Steering Knuckle, Standard Size	1					■		■	■

Chassis

Front Axle/Group 33

REF. NO.	PART NUMBER	DESCRIPTION	QTY.									
				L1013	L1113	L1116	L1117	L1316	L1317	L1418	LS1418	
13	3763300619 044 586 00 33	Repair Kit/Left and Right Steering Knuckle, Standard Size (35.0mm)	1	■	■	■						
13	044 586 01 33	Repair Kit/Left and Right Steering Knuckle, Oversize	1	■	■	■						
14	344 334 70 25	Hub Cap	2		■	■		■				
15	000094 006315	Copper Pin	2		■	■						

Front Axle/Group 33 W/410 Brakes



Chassis

Front Axle/Group 33 W/410 Brakes

REF. NO.	PART NUMBER	DESCRIPTION	QTY.									
				L1013	L1113	L1116	L1117	L1316	L1317	L1418	LS1418	
1	385 330 05 03	Tie Rod Assembly	1		■	■	■	■	■	■	■	■
2	302 330 00 35	Tie Rod End/Left	1		■	■	■	■	■	■	■	■
2	000 463 34 29	Tie Rod End/Right	1		■	■	■	■	■	■	■	■
3	383 332 10 01	Steering Knuckle w/Flange, Left	1		■	■	■	■	■	■	■	■
3	383 330 06 20	Steering Knuckle Less Flange, Right	1		■	■	■	■	■	■	■	■
4	345 334 00 15	Wear Ring/Steering Knuckle	2					■	■	■	■	
5	007 997 36 46	Seal/Front Wheel	2		■	■	■	■	■	■	■	■
6	003 981 74 05	Wheel Bearing/Inner	2		■	■	■	■	■	■	■	■
7	003 981 72 05	Wheel Bearing/Outer	2		■	■	■	■	■	■	■	■
8	355 332 02 73	Thrust Washer/Wheel Bearing	2		■	■	■	■	■	■	■	■
9	360 332 02 72	Nut/Wheel Bearing	2		■	■	■	■	■	■	■	■
10	345 334 75 01	Front Wheel Hub (Up To Front Axle 257338)	2		■	■	■					
10	345 334 06 01	Front Wheel Hub (Up To Front Axle 257067)	2					■	■	■	■	
10	301 334 05 01	Front Wheel Hub (From Front Axle 257339)	2		■	■	■					
10	383 334 03 01	Front Wheel Hub (From Front Axle 257068)	2					■	■	■	■	
11	327 401 04 71	Wheel Bolt/Front Hub	20		■	■		■		■	■	
12	352 421 04 01	Brake Drum/Front, Standard Size	2		■	■	■					
12	360 421 06 01	Brake Drum/Front, Standard Size	2					■	■			■
13	344 334 70 25	Hub Cap	2		■	■	■	■	■	■	■	■
14	000471 034000	Lock Ring	2		■	■	■	■	■	■	■	■
15	355 332 00 62	Thrust Washer	2		■	■	■	■	■	■	■	■
16	376 330 03 19	King Pin Parts Kit, Standard 38.00mm	1		■	■	■	■	■	■	■	■

Use of counterfeit or will-fit parts, or any parts not supplied by Mercedes-Benz Truck Company, may void your truck warranty, so use only genuine Mercedes-Benz replacement parts.