

REF. NO.	PART NUMBER	DESCRIPTION	QTY.	OM352/352A							OM355/5	
				912	937	942	943	945	950	900	947	

<b>1</b>	<b>343 180 01 01</b>	<b>Oil Pump (Up to Engine 736837)</b>	<b>1</b>	■	■	■	■	■	■		
----------	----------------------	---------------------------------------	----------	---	---	---	---	---	---	--	--

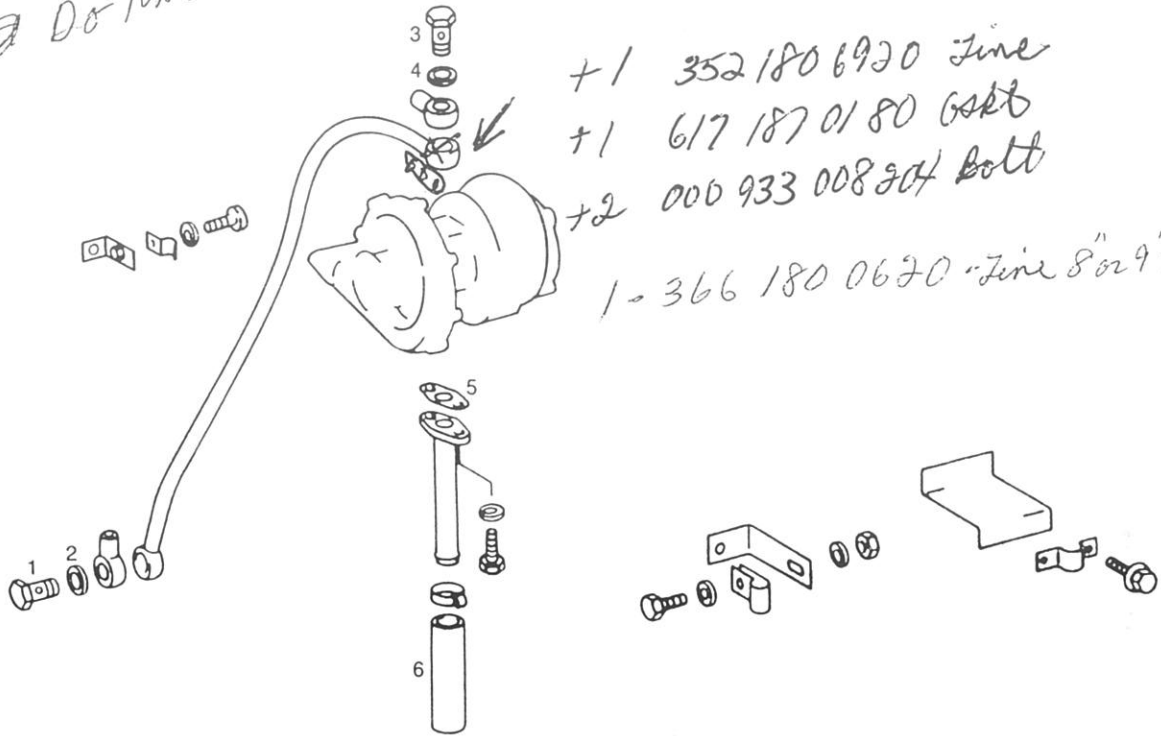
Note: From Engine 736838 use 1-352 180 75 01 Oil Pump,  
 1-110 180 03 55 oil pump pickup assembly,  
 1-352 186 13 01 Suction Basket,  
 1-007993-070100 Snap Ring

<b>2</b>	<b>352 180 75 01</b>	<b>Oil Pump (From Engine 736838)</b>	<b>1</b>	■	■	■	■	■	■		
<b>2</b>	<b>355 180 01 01</b>	<b>Oil Pump</b>	<b>1</b>							■	■
<b>3</b>	<b>352 586 00 18</b>	<b>Gasket Set/Oil Cooler (942 Up To Engine 719989)</b>	<b>1</b>	■	■	■	■	■			
	<b>001 835 09 06</b>	<b>Relay/Low Oil Warning</b>	<b>1</b>			■	■	■	■		
	<b>005 542 27 17</b>	<b>Low Oil/Sender Unit (From Engine 733051)</b>	<b>1</b>			■	■	■	■		
<b>4</b>	<b>001 542 56 17</b>	<b>Oil Pressure Sender Unit (2 Pole)</b>	<b>1</b>	■	■	■	■	■	■		
<b>5</b>	<b>352 188 07 80</b>	<b>Gasket (942 Engine From 719990)</b>	<b>1</b>			■			■		
<b>6</b>	<b>001 184 58 25</b>	<b>Oil Cooler Filter (942 Engine From 719990)</b>	<b>1</b>			■			■		
<b>7</b>	<b>005 997 69 48</b>	<b>Seal Ring (942 Engine From 719990)</b>	<b>1</b>			■			■		
<b>8</b>	<b>000 184 93 80</b>	<b>Gasket (942 Engine From 719990)</b>	<b>1</b>			■			■		
<b>9</b>	<b>917003 026000</b>	<b>Gasket (942 Engine From 719990)</b>	<b>2</b>			■			■		

as of 5/1/87 Do Not Use

Turbo 352 096 44 99 80 Changed part But not Part #  
 New Keed line used w/352 096 44 99 80  
 Turbo Elange Mount Top + Bottom

~~Do Not Use~~



- +1 352 180 6920 Line
- +1 617 187 01 80 Gskt
- +2 000 933 00834 Bolt
- 1-366 180 0670 Line 8" or 9" Long

REF. NO.	PART NUMBER	DESCRIPTION	QTY.	OM352/352A					OM355/5		
				912	937	942	943	945	950	900	947
1	915036 012101	Hollow Screw	1		■	■			■		
2	007603 016102	Seal Ring	2		■	■			■		
3	915036 010100	Hollow Screw	1		■	■			■		
4	007603 014102	Seal Ring	2		■	■			■		
5	352 187 00 80	Gasket	1		■	■			■		
6	364 997 76 82	Hose	1		■	■			■		
6	344 018 70 82	Hose (From Engine 763102)	1		■	■			■		