

# Engine

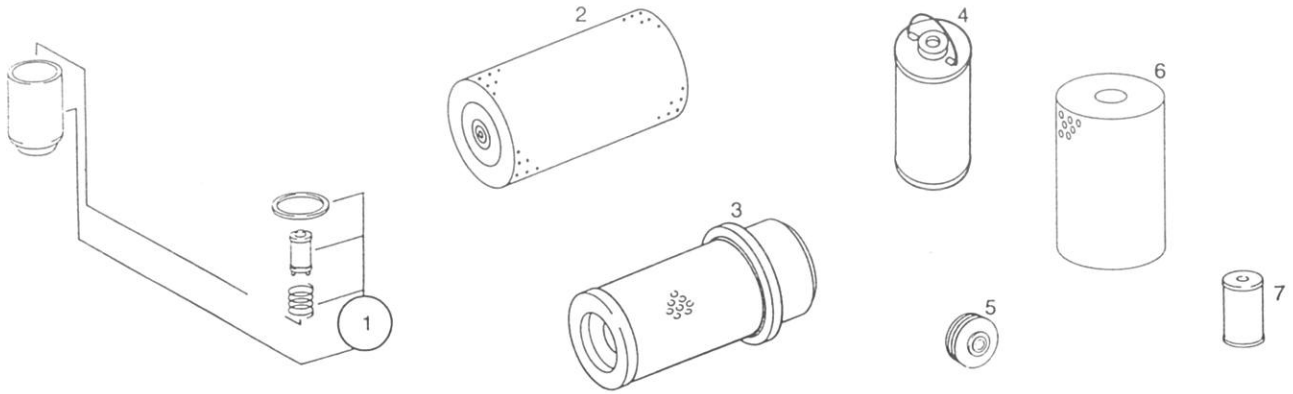
# Filters

Spin on Fuel Filter

PG FF332 }  
 DVD 330516 } 3764770001

Deeco Fuel Water Separator Kitter

Old 976477 0015 discontinued  
 NEW 376477 0290 60 micron filter



Spin of Oil Filter 0031841701

352 Break in Oil Filter 0011843625

REF. NO.	PART NUMBER	DESCRIPTION	QTY.	OM352/352A						OM355/5	
				912	937	942	943	945	950	900	947
1	000 090 01 51	Fuel Strainer Kit (Includes Filter)	1	■	■	■	■	■	■	■	■
2	001 094 52 04	Filter Element (Without Air Fin)	1	■	■	■	■	■			■
3	<sup>70</sup> 376 094 71 04	Filter Element (With Air Fin)	1			■	■	■	■	■	■
4	344 477 72 15	Fuel Filter/Felt Pre-Filter/Includes Gasket Secondary Filter <i>also filter om366</i>	2	■	■	■	■	■	■		
4	000 477 31 15	Fuel Filter/Felt Without Gasket, Stage One Primary	1							■	■
4	422 090 00 51	Fuel Filter/Felt with Gasket, Stage Two Secondary	1							■	■
5	001 184 58 25	Filter/Oil Cooler (From Engine 719990)	1			■			■		
6	<sup>0011843625</sup> 344 586 80 90	Oil Filter (Includes Gasket) <i>0001846580 filter</i> (950 up to Engine 818238)	1	■	■	■	■	■	■		
6	355 180 00 09	Oil Filter (Includes Gasket)	1							■	■
6	401 180 00 09	Oil Filter with Gasket (From Engine 818239)	1						■		
7	000 466 06 04	Power Steering Filter (Includes Gasket) <i>L1319 om366 Same</i>	1	■	■	■	■	■	■	■	■
	000 477 31 80	Gasket/Fuel Filter	1							■	■