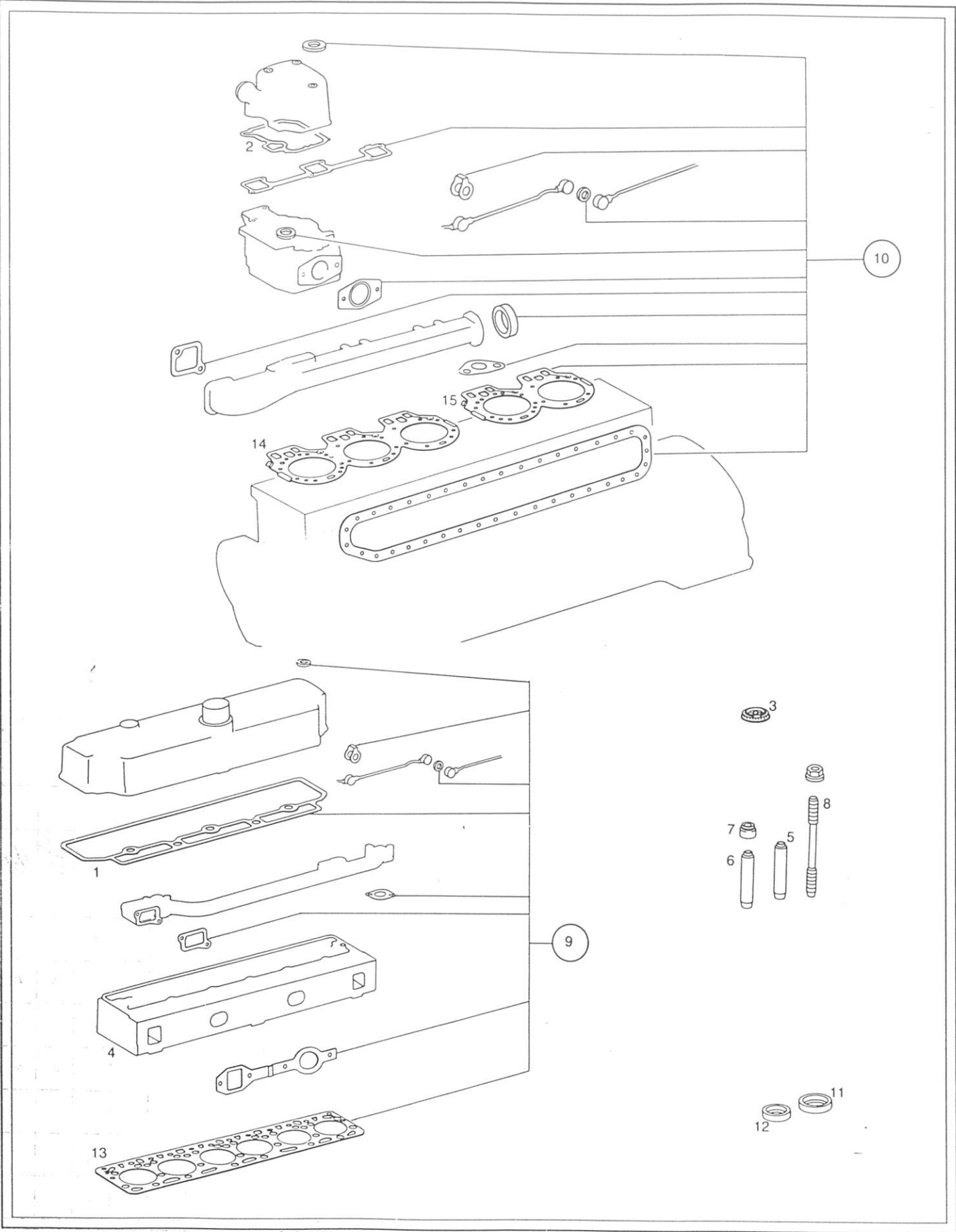


Cylinder Heads/Group 01



Engine

Cylinder Heads/Group 01

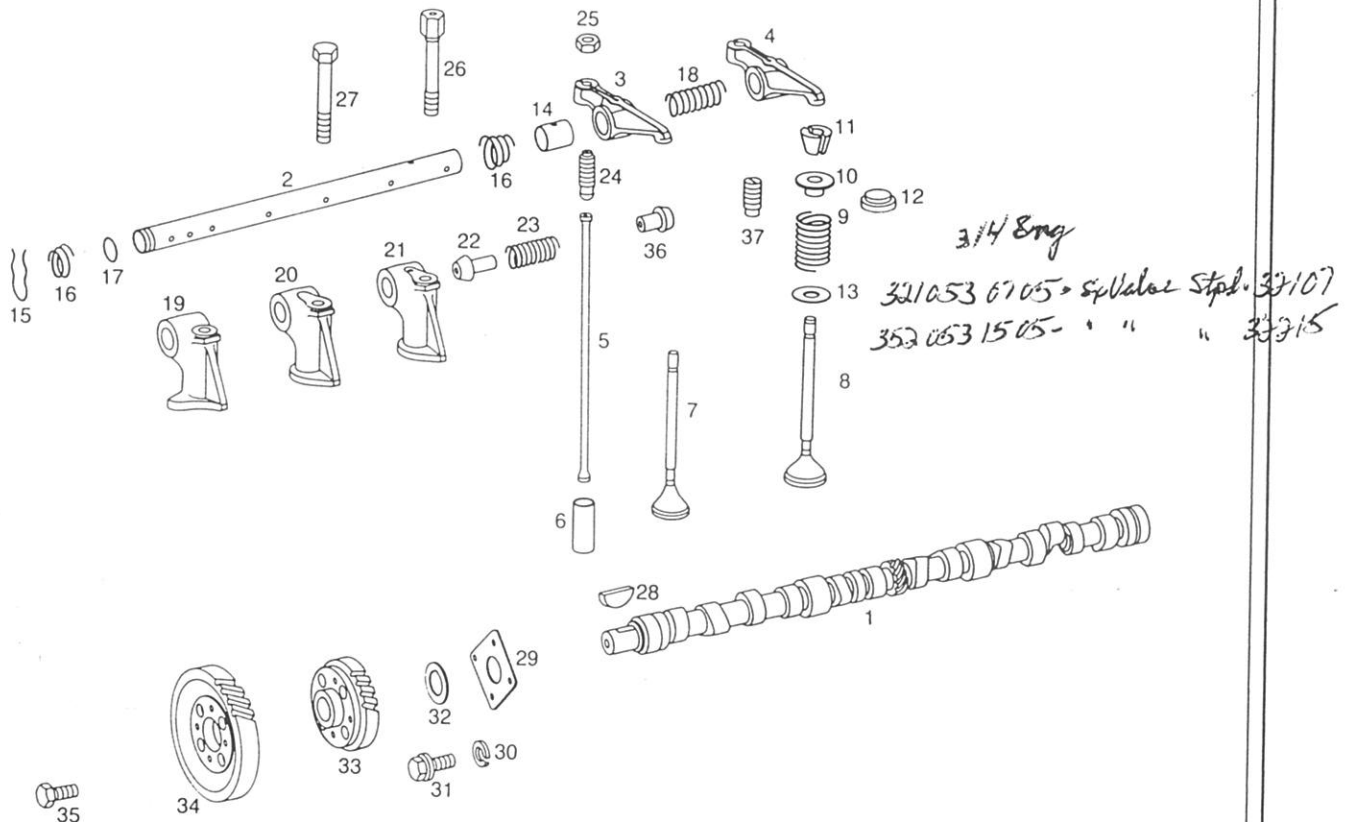
REF. NO.	PART NUMBER	DESCRIPTION	QTY.	OM352/352A						OM355/5		
				912	937	942	943	945	950	900	947	
<i>3660160021 Gasket/Valve Cover on 366</i>												
1	344 016 70 21	Gasket/Valve Cover	1	■	■	■	■	■	■			
2	346 016 02 21	Gasket/Valve Cover	5							■	■	
3	102 018 03 02	Oil Cap/Valve Cover <i>000 018 070's Stock</i>	1	■	■	■	■	■	■			
4	344 010 00 20	Cylinder Head (From Engine 071189)	1	■								
4	344 010 70 20	Cylinder Head	1				■	■				
4	352 010 98 20	Cylinder Head	1	■								
4	352 010 05 21	Cylinder Head (950 up to Engine 812343)	1		■	■			■			
4	362 010 09 20	Cylinder Head (950 from Engine 812344)	1						■			
5	312 053 02 30	Valve Guide/Intake, Standard 15.00mm (Up to Engine 812343 for 950)	6		■	■			■			
5	352 053 12 29	Valve Guide/Intake, Standard 15.00mm	6	■			■	■				
5	352 053 22 29	Valve Guide/Intake, Standard 15.00mm (From Engine 812344)	6						■			
6	352 053 16 30	Valve Guide/Exhaust, Standard 15.00mm (Up to Engine 812343 for 950 Only)	6	■	■	■	■	■	■			
6	352 053 37 30	Valve Guide/Exhaust, Standard 15.00mm (From Engine 812344)	6						■			
7	343 053 70 96	Valve Seals (Boot) for Intake	6	■			■	■				
7	326 053 03 25	Sealer Ring, Exhaust Valve	6							■	■	
7	341 053 00 96	Valve Seal (Boot) for Intake	6						■			
7	352 053 03 96	Valve Seal (Boot) Exhaust (From Engine 812344)	6						■			
8	352 990 42 01	Head Bolts/Cylinder Head (Screw) <i>can use head bolts.</i>	25	■	■	■	■	■	■	■		<i>See SF 01/30</i>
9	352 010 21 80	Gasket Kit/Cylinder Head (Includes Head Gasket)	1	■			■	■				
9	352 010 20 80 <i>000 018 070's Stock</i>	Gasket Kit/Cylinder Head (Includes Head Gasket) <i>352 010 20 71</i>	1		■	■			■			
10	345 010 00 80	Gasket Set/Cylinder Head	1							■	■	
	344 010 04 80	Gasket Kit/Engine Block	1	■	■	■	■	■	■			
	98 345 586 02 90	Gasket Kit/Engine Block	1							■	■	
11	352 053 31 31	Intake Valve Seat Ring/Cylinder Head, Standard 45.07mm	6	■	■							
11	352 053 35 31	Intake Valve Seat Ring/Cylinder Head, Standard 45.87mm	6			■	■	■	■			
11	366 053 20 31	Intake Valve Seat Ring/Cylinder Head, Standard 43.87mm (From Engine 812344)	6							■		

Engine

Cylinder Heads/Group 01

REF. NO.	PART NUMBER	DESCRIPTION	QTY.	OM352/352A						OM355/5	
				912	937	942	943	945	950	900	947
12	352 053 00 32	Exhaust Valve Seat Ring/Cylinder Head, Standard 38.00mm	6	■	■						
12	352 053 15 32	Exhaust Valve Seat Ring/Cylinder Head, Standard 38.07mm	6			■	■	■	■		
12	366 053 01 32	Exhaust Valve Seat Ring/Cylinder Head, Standard 38.07mm (From Engine 812344)	6						■		
13	352 016 13 20	Cylinder Head Gasket	1	■			■	■			
13	^{366 00} 352 016 15 20 N/A	Cylinder Head Gasket	1		■	■			■		
14	355 016 02 20	Cylinder Head Gasket (Fits 3 Cylinders)	1							■	■
15	345 016 00 20	Cylinder Head Gasket (Fits 2 Cylinders)	1							■	■

Valve Train/Group 05



REF. NO.	PART NUMBER	DESCRIPTION	QTY.	OM352/352A						OM355/5	
				912	937	942	943	945	950	900	947
1	344 050 01 01	Camshaft	1	■							