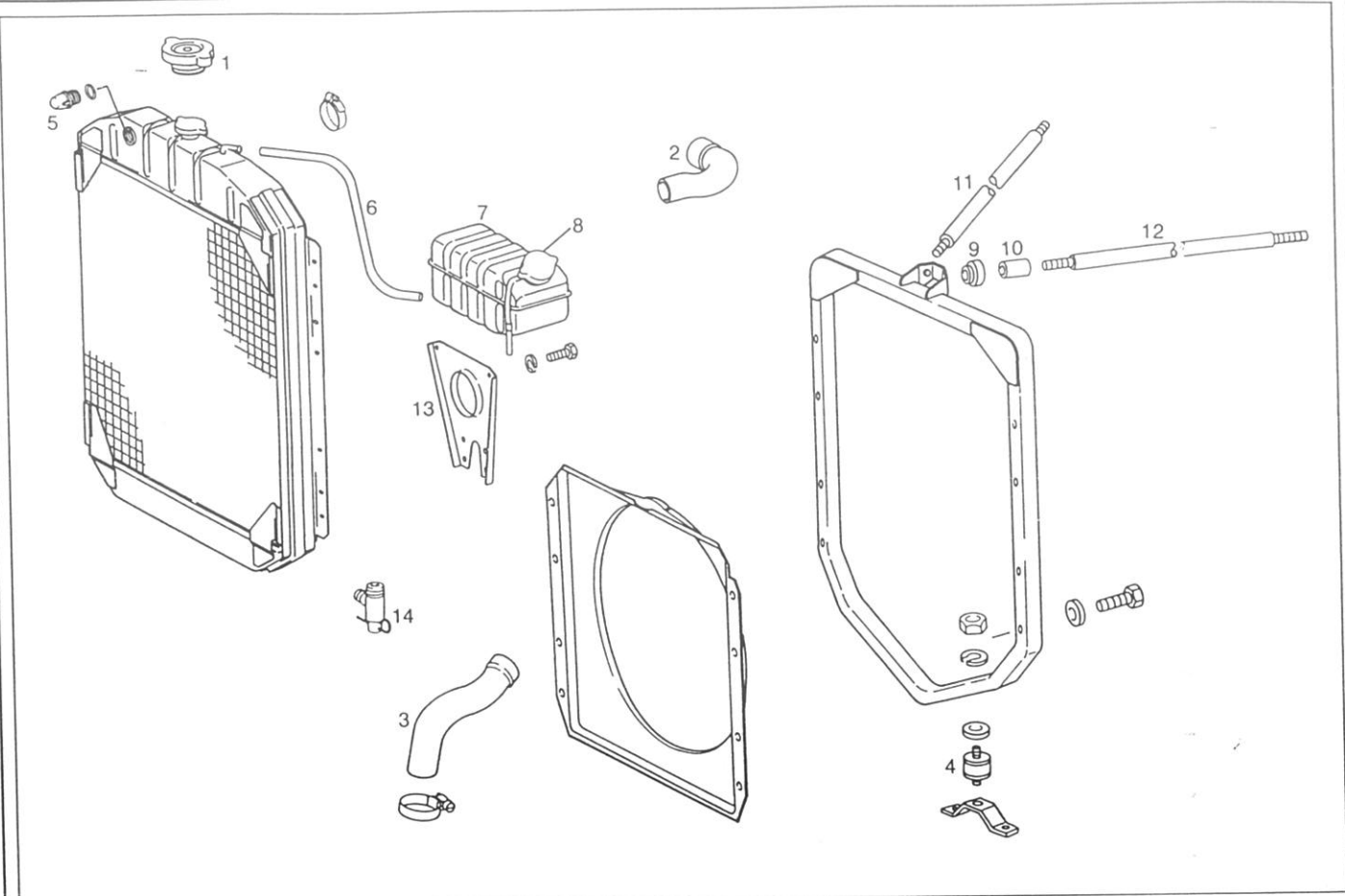


# Chassis

# Cooling System/Group 50

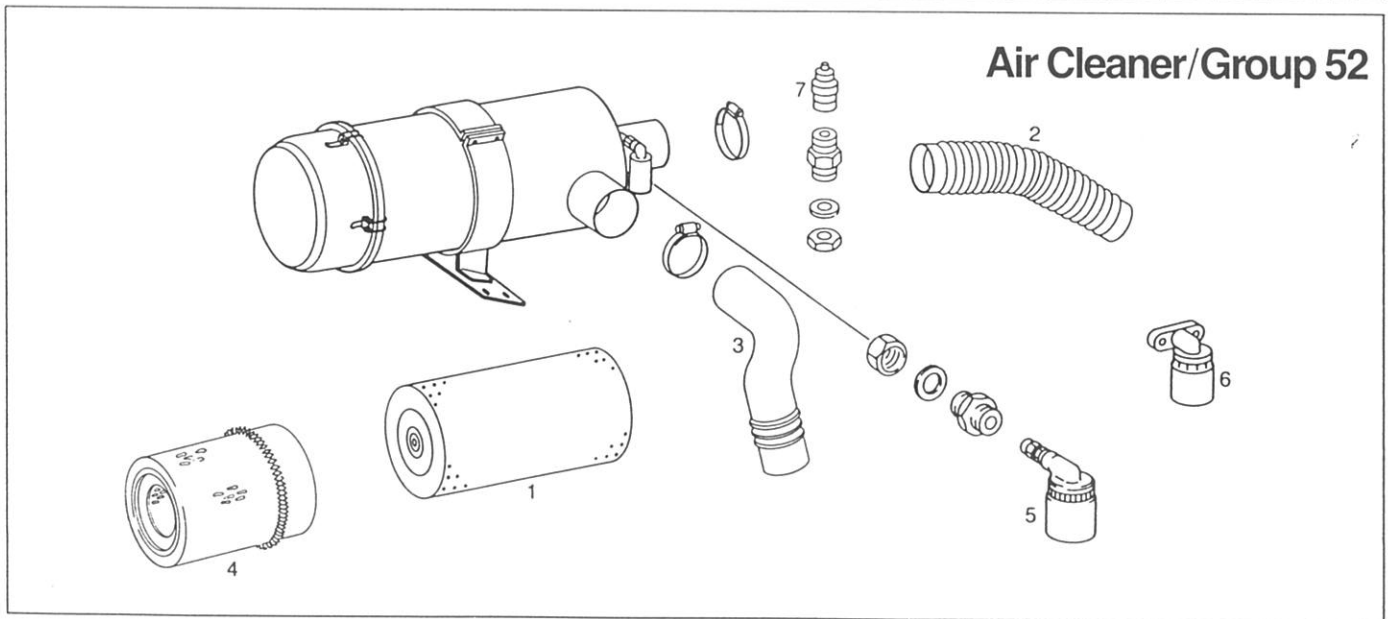


REF. NO.	PART NUMBER	DESCRIPTION	QTY.								
				L1013	L1113	L1116	L1117	L1316	L1317	L1418	LS1418
1	344 501 03 15	Cap/Radiator (Up to Chassis 604878)	1	■	■	■		■		■	■
1	376 501 00 15	Cap/Radiator (From Chassis 604879) <i>100 lbs</i>	1	■	■	■	■	■	■	■	■
2	340 501 00 82	Hose/Upper Radiator	1	■	■	■	■	■	■		
2	345 501 00 82	Hose/Upper Radiator (Up to Chassis 604878)	1							■	■
2	376 501 71 82	Hose/Upper Radiator (From Chassis 604879)	1							■	■
3	340 501 04 82	Hose/Lower Radiator	1	■	■	■		■			
3	376 501 75 82	Hose/Lower Radiator	1				■		■		
3	345 501 01 82	Hose/Lower Radiator	1							■	■
4	360 504 00 12	Mounting Rubber Support	2	■	■	■	■	■	■	■	■
5	346 501 70 87	Sight Glass <i>376 997 70 46 Seal</i>	1	■	■	■	■	■	■	■	■
6	376 501 00 82	Hose, to Expansion Tank	1	■	■	■	■	■	■		

# Chassis

# Cooling System/Group 50

REF. NO.	PART NUMBER	DESCRIPTION	QTY.	L1013	L1113	L1116	L1117	L1316	L1317	L1418	LS1418
7	376 500 03 49	Expansion Tank	1	■	■	■	■	■	■		
8	000 501 35 15	Cap, Expansion Tank <i>5/8 165</i>	1	■	■	■	■	■	■		
9	327 504 50 82	Rubber Ring	8	■	■	■					
10	319 991 05 40	Spacer Tube	4	■	■	■					
11	344 500 70 45	Strut	1	■	■	■					
12	345 500 73 45	Strut	1	■	■	■					
13	376 501 00 20	Bracket	1	■	■	■					
14	000 997 64 36	Drain Cock	1	■	■	■					



REF. NO.	PART NUMBER	DESCRIPTION	QTY.	L1013	L1113	L1116	L1117	L1316	L1317	L1418	LS1418
1	001 094 52 04	Filter Element/without fins	1	■	■	■		■		■	■
2	345 094 70 82	Hose <del>Same Size Both Ends 376-031-034</del>	1	■	■						
2 *	345 528 70 82	Hose <i>Same Size Both Ends (376-031-034)</i>	1			■	■	■	■		
3	000 094 18 09	Hose/from Intake Pipe to Air Cleaner	1	■	■	■	■	■	■	■	■
4	376 094 71 04	Filter Element/with fins	1	■	■	■	■	■	■	■	■
5	000 094 17 68	Vacuum Indicator (Up to Chassis 565684)	1	■	■	■		■		■	■

*2 \* 3450947182 Hose Different Size Ends*