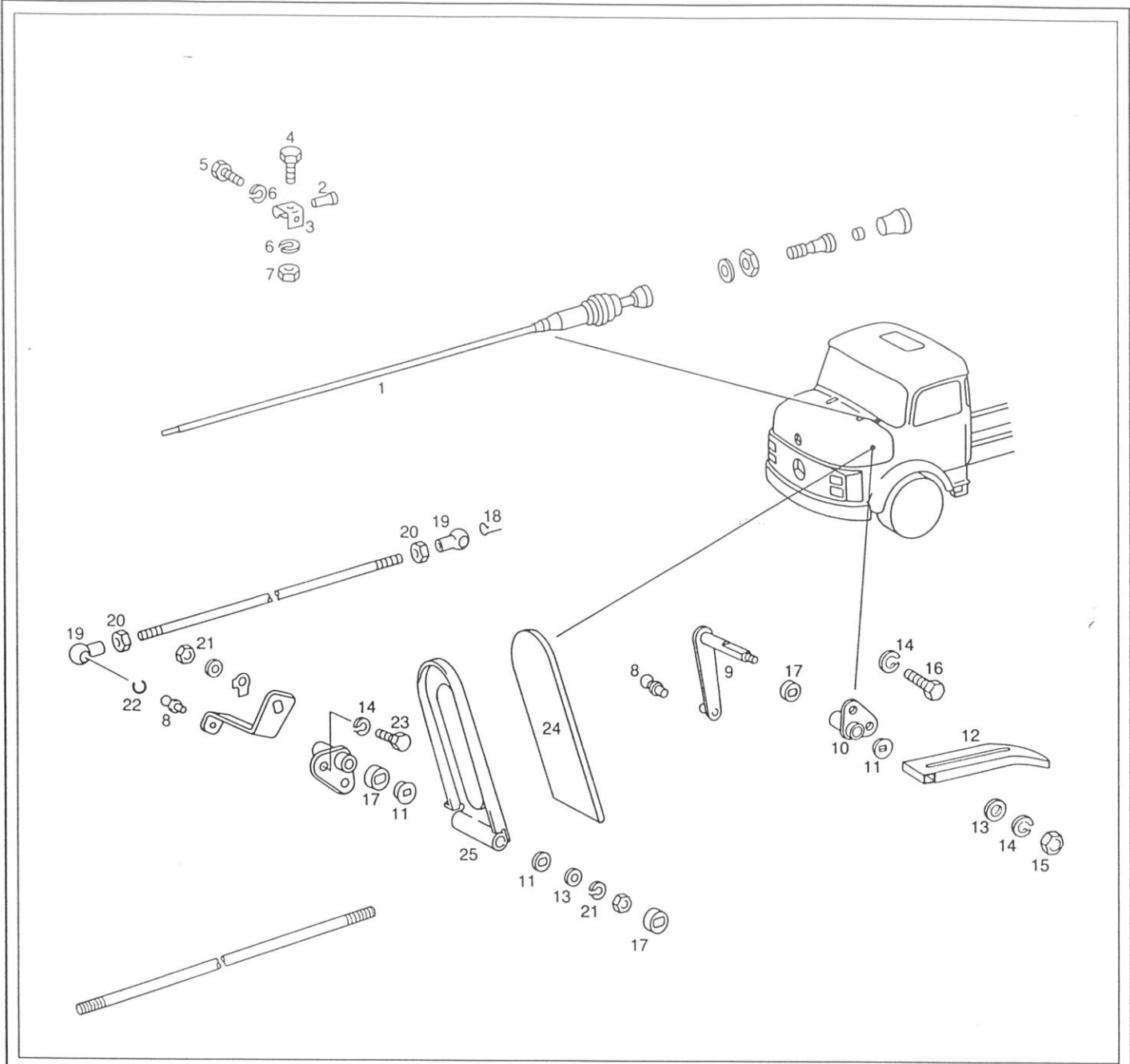


# Chassis

# Accelerator and Throttle/Group 30



REF. NO.	PART NUMBER	DESCRIPTION	QTY.									
				L1013	L1113	L1116	L1117	L1316	L1317	L1418	LS1418	
1	345 300 80 07	Throttle Control Cable (Up to Chassis 591819)	1	■	■	■		■				
1	345 300 84 07	Throttle Control Cable (From Chassis 591820)	1	■	■	■	■	■	■			
1	345 300 71 07	Throttle Control Cable (Up to Chassis 587298)	1								■	■
1	345 300 85 07	Throttle Control Cable (From Chassis 587299)	1								■	■
2	345 302 70 91	Grommet	1	■	■	■	■	■	■			

# Chassis

# Accelerator and Throttle/Group 30

REF. NO.	PART NUMBER	DESCRIPTION	QTY.									
				L1013	L1113	L1116	L1117	L1316	L1317	L1418	LS1418	
3	352 302 00 20	Clamp	1	■	■	■	■	■	■			
4	000933 006010	Bolt	1	■	■	■	■	■	■			
5	000084 006104	Bolt	1	■	■	■	■	■	■			
6	000127 006206	Lock Washer	2	■	■	■	■	■	■			
7	000934 006007	Nut	1	■	■	■	■	■	■			
8	312 991 01 20	Ball Pivot	1	■	■	■	■	■	■			
9	321 300 14 25	Lever	1		■							
9	345 300 70 25	Lever	1	■		■		■				
10	322 300 00 21	Bearing Tube	1	■	■	■		■				
11	322 301 00 54	Plate	2	■	■	■	■	■				
12	352 300 08 02	Accelerator Pedal	1	■	■	■		■				
13	000433 008406	Washer	2	■	■	■		■				
14	912004 008104	Lock Washer	5	■	■	■		■				
15	000934 008014	Nut	1	■	■	■		■				
16	000933 008025	Bolt	2	■	■	■		■				
17	352 301 00 88	Cover Plate	3	■	■	■		■				
18	071805 010403	Clamp	2		■		■		■			
19	071805 010204	Ball Socket	4		■		■		■			
20	000934 006007	Nut	4		■		■		■			
21	913004 008004	Nut	2		■		■		■			
22	000471 012001	Ring	1		■		■		■			
23	000933 008272	Bolt	2		■		■		■			
24	345 301 70 82	Pad	1		■		■		■			
25	345 300 70 04	Accelerator Pedal	1		■		■		■			

Only Mercedes-Benz Truck Company warrants genuine Mercedes-Benz service replacement parts and powertrain components (transmission and rear axle) for a period of 12 months, unlimited mileage.